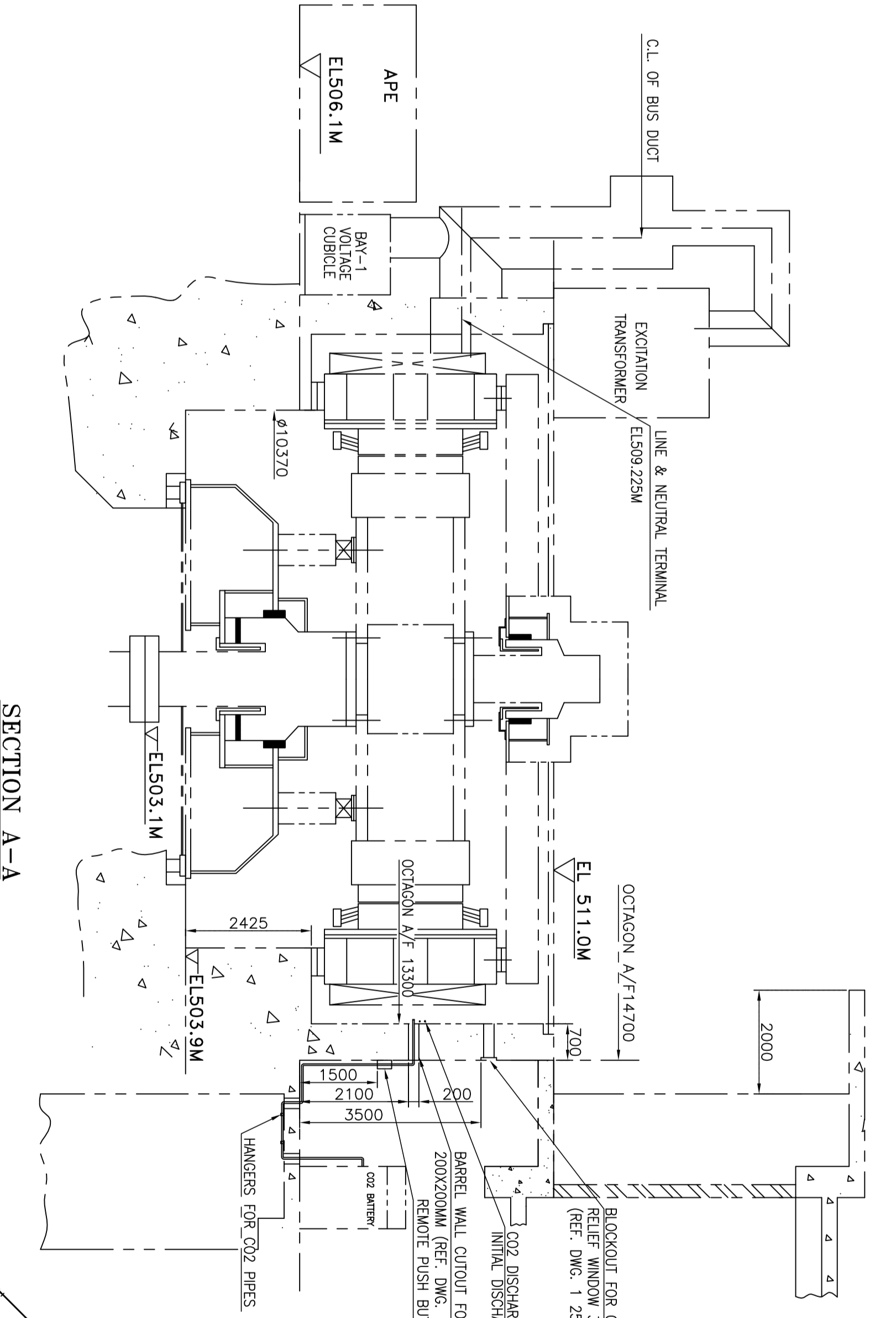
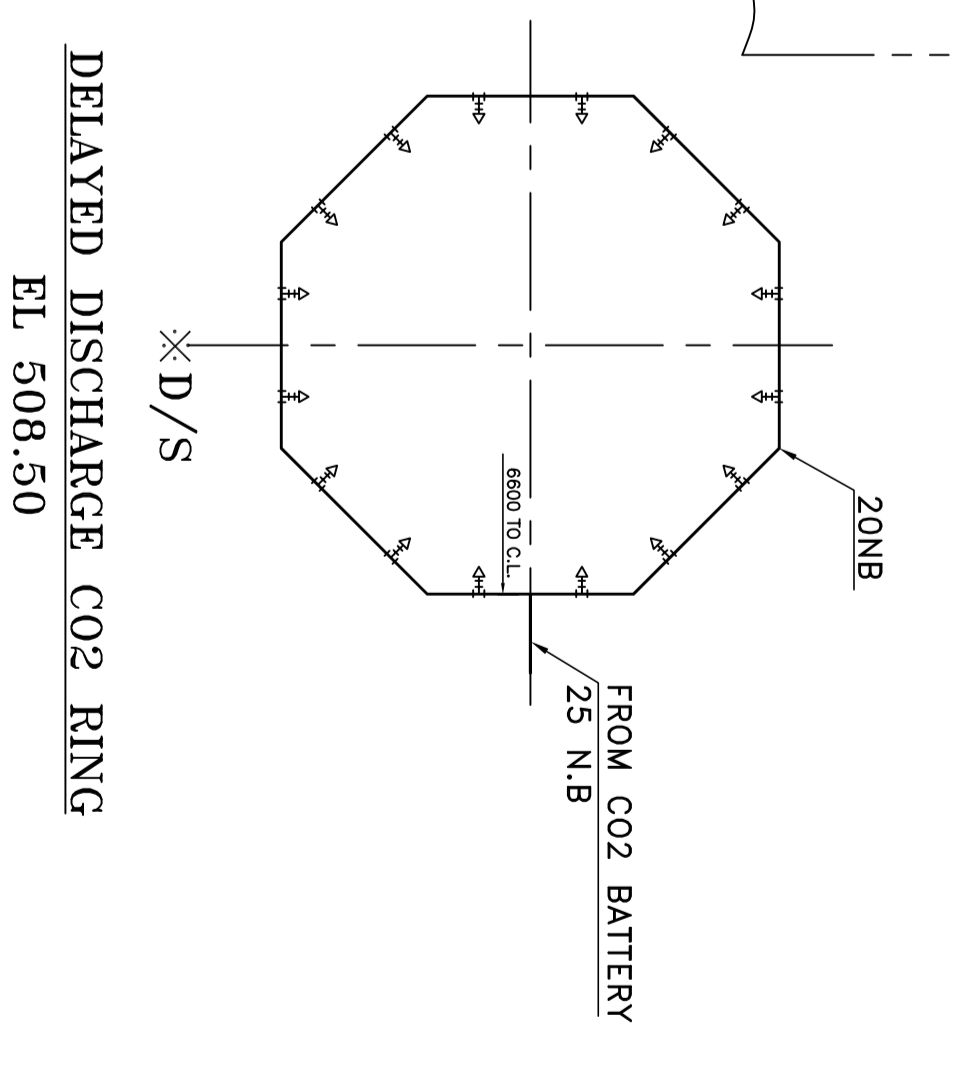


SCHEMATIC DIAGRAM OF CO₂ FIRE EXTINGUISHING SYSTEM

NOTE:- SIMILAR SCHEME WILL BE REPEATED FOR UNIT 2, 3 & 4

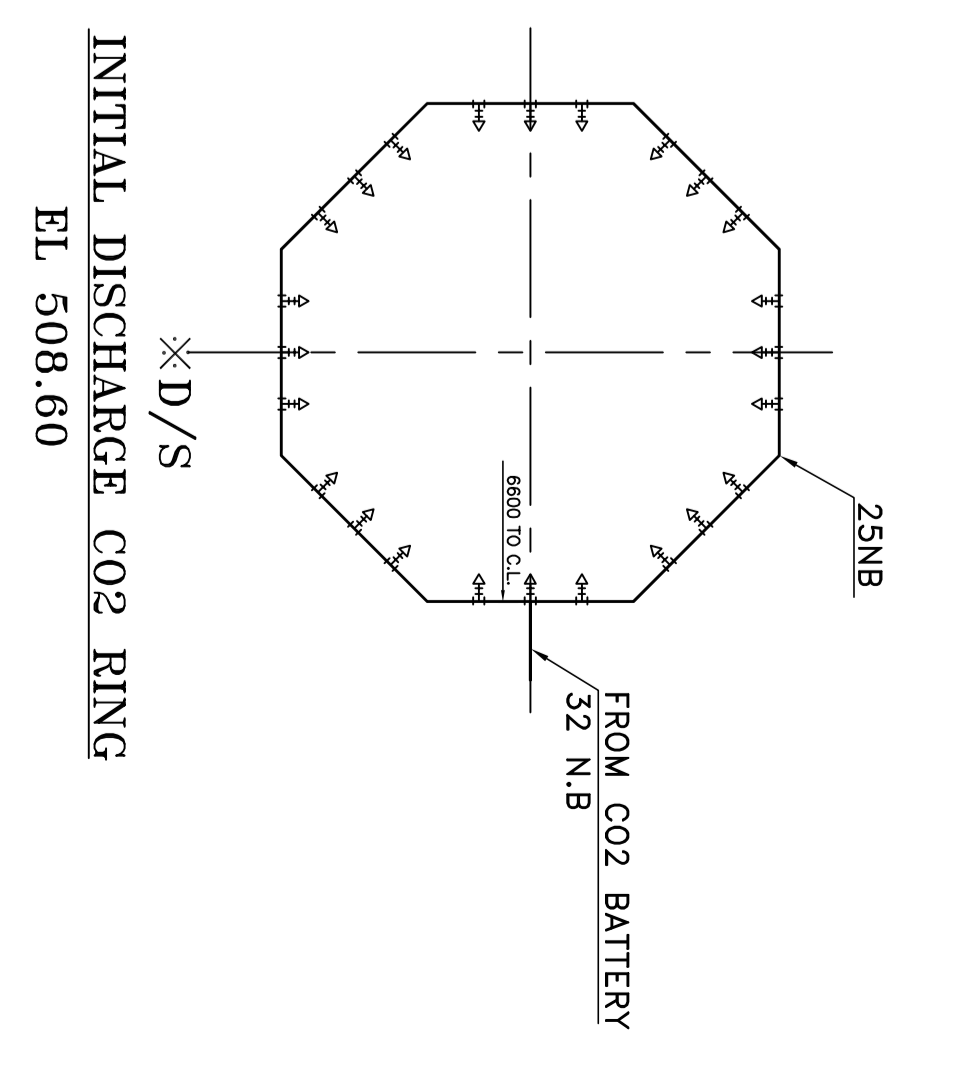


SECTION A-A



DELAYED DISCHARGE CO2 RING
EL 508.50

DETAIL-A



INITIAL DISCHARGE CO2 RING
EL 508.60

LEGEND (SCHEMATIC DIAGRAM)		QTY. TOTAL PER GEN. (FOR REF. ONLY)
○	NON RETURN VALVE	2
□	INITIAL DISCHARGE CO2 NOZZLE	24
■	DELAYED DISCHARGE CO2 NOZZLE	16
—	ELECTRICAL LINE	AS REQD.
⊕	HEAT DETECTOR	4
⊖	SMOKE DETECTOR	8
⊙	CO2 CYLINDER (45 KG CAP) WITH PRESSURE OPERATED CONTROL HEAD	42
⊘	BLEEDER VALVE	2
⊚	EXCESS PRESSURE RELEASE DEVICE	2
⊛	PRESSURE SWITCH	1
⊜	CO2 BATTERY WITH ENCLOSURE AND DOOR	1 SET
⊝	REMOTE PUSH BUTTON	1
⊞	C.R.P.B.	1
⊟	SQUEEZE GRIP CUM SAFETY VALVE	2
⊠	CO2 MOBILE EVACUATION UNIT (COMMON FOR 4 GENERATORS)	1

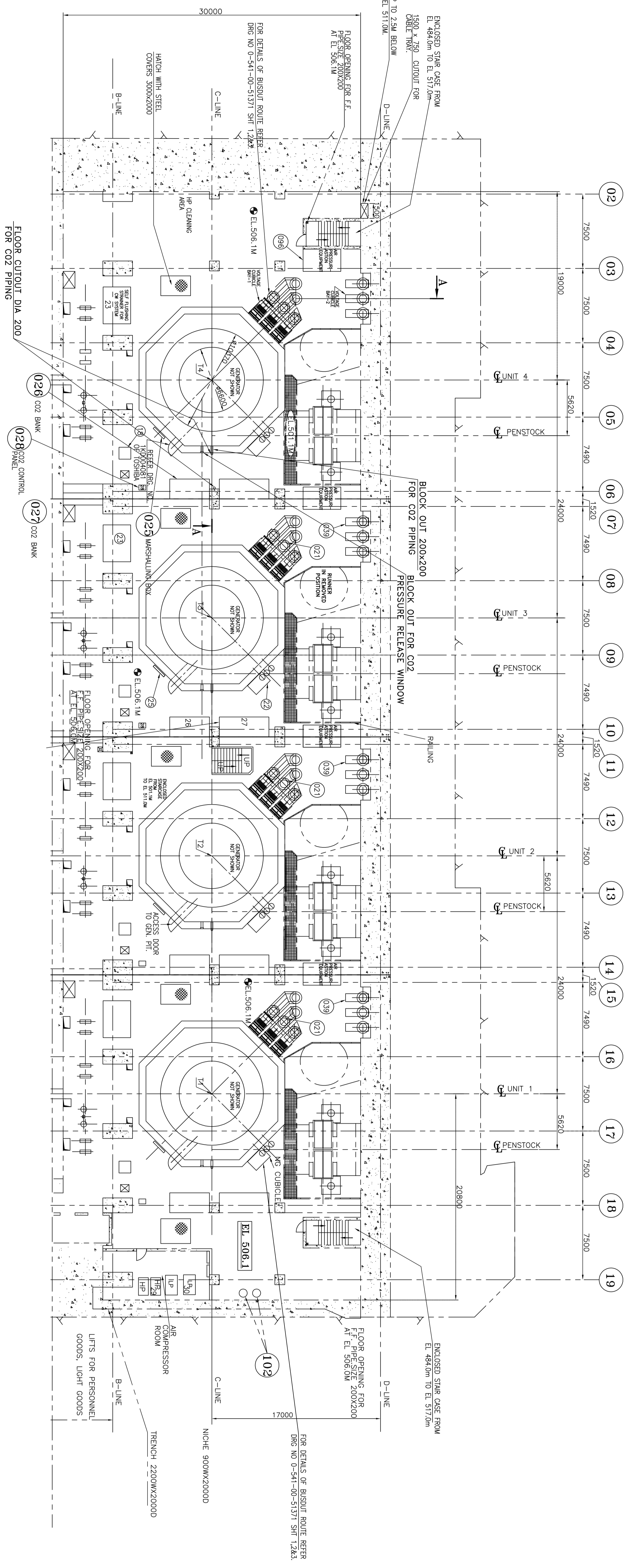
REFERENCE DRAWINGS AND DOCUMENTS:-

- DWG. NO. 0-200-00-15301-SHEETS SECTION E-E PLAN AT 506.1M
- DWG. NO. 0-200-00-15301-SHEETS ELEVATION.
- DWG. NO. 0-200-00-48901-BLOCK-OUT FOR GENERATOR PIPING.
- PRODUCT STANDARD HG-10021 -PURCHASE SPEC FOR CO2 FIRE EXTINGUISHING SYSTEM FOR GENERATOR
- HG-KOLDAM-011 - DESIGN AND WHITEUP FOR CO2 FIRE EXTINGUISHING SYSTEM (APPROVED BY NTPC)
- DWG. NO. (TOSHIBA, JAPAN) 2 KD 109678 - CO2 GAS PRESSURE RELIEF ASSEMBLY.
- NTPC SPECIFICATION
- CLAUSE 2.16 OF 6.6.3.1.4 DIS GENERATOR
- CLAUSE 1.26 OF 6.6.3.2.5 DIS VENTILATION AND AIR CONDITIONING
- FOR PAINTING OF EXTERNAL/INTERNAL SURFACES NTPC APPROVED PAINTING SPECIFICATION SHALL BE FOLLOWED.

NOTE :

- COURT AND CO2 SYSTEM LOCATION IS SHOWN FOR REFERENCE ONLY. THE WORK IS TO BE CARRIED OUT AT SITE.
- COMPLETE AS PER THE PIPING LAYOUT TO SUIT SITE CONDITIONS.
- THERE MAY BE MINOR CHANGES IN PIPING LAYOUT TO SUIT SITE CONDITIONS.
- THIS DWG. IS AN SCHEMATIC DWG. AND DOES NOT HAVE ANY BOM.

PLAN - CO2 PIPING & EQUIPMENT PLACEMENT LAYOUT



NTPC / KOLDAM HEP
432000W, 0.9PF, 13.8KV, 166.68MVA, GENERATOR

REV	DATE	ALTERED	APPROVED
REV 1	DATE	ALTERED	APPROVED
REV 2	DATE	ALTERED	APPROVED
REV 3	DATE	ALTERED	APPROVED
REV 4	DATE	ALTERED	APPROVED
REV 5	DATE	ALTERED	APPROVED
REV 6	DATE	ALTERED	APPROVED
REV 7	DATE	ALTERED	APPROVED
REV 8	DATE	ALTERED	APPROVED
REV 9	DATE	ALTERED	APPROVED
REV 10	DATE	ALTERED	APPROVED
REV 11	DATE	ALTERED	APPROVED
REV 12	DATE	ALTERED	APPROVED
REV 13	DATE	ALTERED	APPROVED
REV 14	DATE	ALTERED	APPROVED
REV 15	DATE	ALTERED	APPROVED
REV 16	DATE	ALTERED	APPROVED

REV	DATE	ALTERED	APPROVED
REV 1	DATE	ALTERED	APPROVED
REV 2	DATE	ALTERED	APPROVED
REV 3	DATE	ALTERED	APPROVED
REV 4	DATE	ALTERED	APPROVED
REV 5	DATE	ALTERED	APPROVED
REV 6	DATE	ALTERED	APPROVED
REV 7	DATE	ALTERED	APPROVED
REV 8	DATE	ALTERED	APPROVED
REV 9	DATE	ALTERED	APPROVED
REV 10	DATE	ALTERED	APPROVED
REV 11	DATE	ALTERED	APPROVED
REV 12	DATE	ALTERED	APPROVED
REV 13	DATE	ALTERED	APPROVED
REV 14	DATE	ALTERED	APPROVED
REV 15	DATE	ALTERED	APPROVED
REV 16	DATE	ALTERED	APPROVED

REV	DATE	ALTERED	APPROVED
REV 1	DATE	ALTERED	APPROVED
REV 2	DATE	ALTERED	APPROVED
REV 3	DATE	ALTERED	APPROVED
REV 4	DATE	ALTERED	APPROVED
REV 5	DATE	ALTERED	APPROVED
REV 6	DATE	ALTERED	APPROVED
REV 7	DATE	ALTERED	APPROVED
REV 8	DATE	ALTERED	APPROVED
REV 9	DATE	ALTERED	APPROVED
REV 10	DATE	ALTERED	APPROVED
REV 11	DATE	ALTERED	APPROVED
REV 12	DATE	ALTERED	APPROVED
REV 13	DATE	ALTERED	APPROVED
REV 14	DATE	ALTERED	APPROVED
REV 15	DATE	ALTERED	APPROVED
REV 16	DATE	ALTERED	APPROVED

REV	DATE	ALTERED	APPROVED
REV 1	DATE	ALTERED	APPROVED
REV 2	DATE	ALTERED	APPROVED
REV 3	DATE	ALTERED	APPROVED
REV 4	DATE	ALTERED	APPROVED
REV 5	DATE	ALTERED	APPROVED
REV 6	DATE	ALTERED	APPROVED
REV 7	DATE	ALTERED	APPROVED
REV 8	DATE	ALTERED	APPROVED
REV 9	DATE	ALTERED	APPROVED
REV 10	DATE	ALTERED	APPROVED
REV 11	DATE	ALTERED	APPROVED
REV 12	DATE	ALTERED	APPROVED
REV 13	DATE	ALTERED	APPROVED
REV 14	DATE	ALTERED	APPROVED
REV 15	DATE	ALTERED	APPROVED
REV 16	DATE	ALTERED	APPROVED

REV	DATE	ALTERED	APPROVED
REV 1	DATE	ALTERED	APPROVED
REV 2	DATE	ALTERED	APPROVED
REV 3	DATE	ALTERED	APPROVED
REV 4	DATE	ALTERED	APPROVED
REV 5	DATE	ALTERED	APPROVED
REV 6	DATE	ALTERED	APPROVED
REV 7	DATE	ALTERED	APPROVED
REV 8	DATE	ALTERED	APPROVED
REV 9	DATE	ALTERED	APPROVED
REV 10	DATE	ALTERED	APPROVED
REV 11	DATE	ALTERED	APPROVED
REV 12	DATE	ALTERED	APPROVED
REV 13	DATE	ALTERED	APPROVED
REV 14	DATE	ALTERED	APPROVED
REV 15	DATE	ALTERED	APPROVED
REV 16	DATE	ALTERED	APPROVED

REV	DATE	ALTERED	APPROVED
REV 1	DATE	ALTERED	APPROVED
REV 2	DATE	ALTERED	APPROVED
REV 3	DATE	ALTERED	APPROVED
REV 4	DATE	ALTERED	APPROVED
REV 5	DATE	ALTERED	APPROVED
REV 6	DATE	ALTERED	APPROVED
REV 7	DATE	ALTERED	APPROVED
REV 8	DATE	ALTERED	APPROVED
REV 9	DATE	ALTERED	APPROVED
REV 10	DATE	ALTERED	APPROVED
REV 11	DATE	ALTERED	APPROVED
REV 12	DATE	ALTERED	APPROVED
REV 13	DATE	ALTERED	APPROVED
REV 14	DATE	ALTERED	APPROVED
REV 15	DATE	ALTERED	APPROVED
REV 16	DATE	ALTERED	APPROVED

REV	DATE	ALTERED	APPROVED
REV 1	DATE	ALTERED	APPROVED
REV 2	DATE	ALTERED	APPROVED
REV 3	DATE	ALTERED	APPROVED
REV 4	DATE	ALTERED	APPROVED
REV 5	DATE	ALTERED	APPROVED
REV 6	DATE	ALTERED	APPROVED
REV 7	DATE	ALTERED	APPROVED
REV 8	DATE	ALTERED	APPROVED
REV 9	DATE	ALTERED	APPROVED
REV 10	DATE	ALTERED	APPROVED
REV 11	DATE	ALTERED	APPROVED
REV 12	DATE	ALTERED	APPROVED
REV 13	DATE	ALTERED	APPROVED
REV 14	DATE	ALTERED	APPROVED
REV 15	DATE	ALTERED	APPROVED
REV 16	DATE	ALTERED	APPROVED

REV	DATE	ALTERED	APPROVED
REV 1	DATE	ALTERED	APPROVED
REV 2	DATE	ALTERED	APPROVED
REV 3	DATE	ALTERED	APPROVED
REV 4	DATE	ALTERED	APPROVED
REV 5	DATE	ALTERED	APPROVED
REV 6	DATE	ALTERED	APPROVED
REV 7	DATE	ALTERED	APPROVED
REV 8	DATE	ALTERED	APPROVED
REV 9	DATE	ALTERED	APPROVED
REV 10	DATE	ALTERED	APPROVED
REV 11	DATE	ALTERED	APPROVED
REV 12	DATE	ALTERED	APPROVED
REV 13	DATE	ALTERED	APPROVED
REV 14	DATE	ALTERED	APPROVED
REV 15	DATE	ALTERED	APPROVED
REV 16	DATE	ALTERED	APPROVED

REV	DATE	ALTERED	APPROVED
REV 1	DATE	ALTERED	APPROVED
REV 2	DATE	ALTERED	APPROVED
REV 3	DATE	ALTERED	APPROVED
REV 4	DATE	ALTERED	APPROVED
REV 5	DATE	ALTERED	APPROVED
REV 6	DATE	ALTERED	APPROVED
REV 7	DATE	ALTERED	APPROVED
REV 8	DATE	ALTERED	APPROVED
REV 9	DATE	ALTERED	APPROVED
REV 10	DATE	ALTERED	APPROVED
REV 11	DATE	ALTERED	APPROVED
REV 12	DATE	ALTERED	APPROVED
REV 13	DATE	ALTERED	APPROVED
REV 14	DATE	ALTERED	APPROVED
REV 15	DATE	ALTERED	APPROVED
REV 16	DATE	ALTERED	APPROVED

REV	DATE	ALTERED	APPROVED
REV 1	DATE	ALTERED	APPROVED
REV 2	DATE	ALTERED	APPROVED
REV 3	DATE	ALTERED	APPROVED
REV 4	DATE	ALTERED	APPROVED
REV 5	DATE	ALTERED	APPROVED
REV 6	DATE	ALTERED	APPROVED
REV 7	DATE	ALTERED	APPROVED
REV 8	DATE	ALTERED	APPROVED
REV 9	DATE	ALTERED	APPROVED
REV 10	DATE	ALTERED	APPROVED
REV 11	DATE	ALTERED	APPROVED
REV 12	DATE	ALTERED	APPROVED
REV 13	DATE	ALTERED	APPROVED
REV 14	DATE	ALTERED	APPROVED
REV 15	DATE	ALTERED	APPROVED
REV 16	DATE	ALTERED	APPROVED

REV	DATE	ALTERED	APPROVED
REV 1	DATE	ALTERED	APPROVED
REV 2	DATE	ALTERED	APPROVED
REV 3	DATE	ALTERED	APPROVED
REV 4	DATE	ALTERED	APPROVED
REV 5	DATE	ALTERED	APPROVED
REV 6	DATE	ALTERED	APPROVED
REV 7	DATE	ALTERED	APPROVED
REV 8	DATE	ALTERED	APPROVED
REV 9	DATE	ALTERED	APPROVED
REV 10	DATE	ALTERED	APPROVED
REV 11	DATE	ALTERED	APPROVED
REV 12	DATE	ALTERED	APPROVED
REV 13	DATE	ALTERED	APPROVED
REV 14	DATE	ALTERED	APPROVED
REV 15	DATE	ALTERED	APPROVED
REV 16	DATE	ALTERED	APPROVED

REV	DATE	ALTERED	APPROVED
REV 1	DATE	ALTERED	APPROVED
REV 2	DATE	ALTERED	APPROVED
REV 3	DATE	ALTERED	APPROVED
REV 4	DATE	ALTERED	APPROVED
REV 5	DATE	ALTERED	APPROVED
REV 6	DATE	ALTERED	APPROVED
REV 7	DATE	ALTERED	APPROVED
REV 8	DATE	ALTERED	APPROVED
REV 9	DATE	ALTERED	APPROVED
REV 10	DATE	ALTERED	APPROVED
REV 11	DATE	ALTERED	APPROVED
REV 12	DATE	ALTERED	APPROVED
REV 13	DATE	ALTERED	APPROVED
REV 14	DATE	ALTERED	APPROVED
REV 15	DATE	ALTERED	APPROVED
REV 16	DATE	ALTERED	APPROVED

REV	DATE	ALTERED	APPROVED
REV 1	DATE	ALTERED	APPROVED
REV 2	DATE	ALTERED	APPROVED
REV 3	DATE	ALTERED	APPROVED
REV 4	DATE	ALTERED	APPROVED
REV 5	DATE	ALTERED	APPROVED
REV 6	DATE	ALTERED	APPROVED
REV 7	DATE	ALTERED	APPROVED
REV 8	DATE	ALTERED	APPROVED
REV 9	DATE	ALTERED	APPROVED
REV 10	DATE	ALTERED	APPROVED
REV 11	DATE	ALTERED	APPROVED
REV 12	DATE	ALTERED	APPROVED
REV 13	DATE	ALTERED	APPROVED
REV 14	DATE	ALTERED	APPROVED
REV 15	DATE	ALTERED	APPROVED
REV 16	DATE	ALTERED	APPROVED

REV	DATE	ALTERED	APPROVED
REV 1	DATE	ALTERED	APPROVED
REV 2	DATE	ALTERED	APPROVED
REV 3	DATE	ALTERED	APPROVED
REV 4	DATE	ALTERED	APPROVED
REV 5	DATE	ALTERED	APPROVED
REV 6	DATE	ALTERED	APPROVED